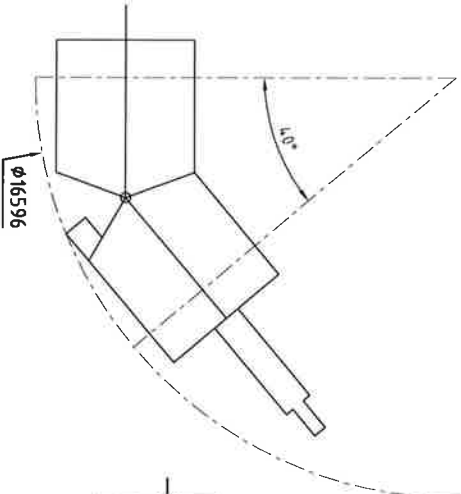
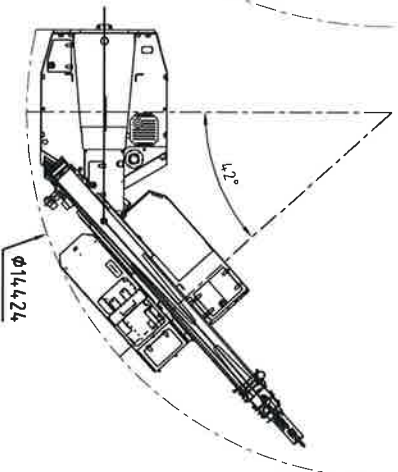


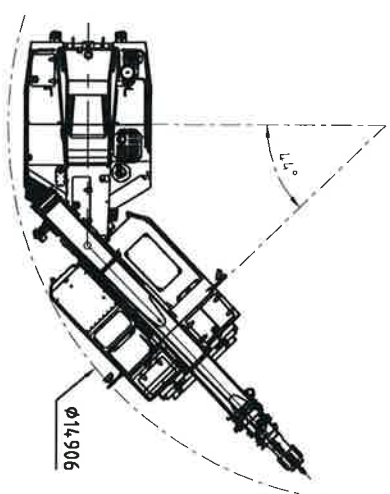
AT20/AT22



MAC25



TIDD PC25



TIDD PC28

THIS DRAWING IS THE PROPERTY OF TIDD ROSS TODD LTD. IT IS FURNISHED TO YOU FOR CONFIDENTIAL INFORMATION PURPOSES ONLY AND IS NOT TO BE DISCLOSED TO ANYONE ELSE OR USED FOR MANUFACTURING PURPOSES WITHOUT THE EXPRESS WRITTEN PERMISSION OF TIDD ROSS TODD LTD.

ISSUE	DRAWING AMENDMENTS	BY	DATE	DRAWN	SCALE	CHECKED

TRD TIDD ROSS TODD LTD
 MAUI STREET
 HAMILTON, NEW ZEALAND

Ph (07) 843-4839
 Fax (07) 843-3628
 Email trt@trt.co.nz

TIDD CRANE
 TURNING CIRCLE COMPARISON

Part No	Issue
SHT 1	OF 1
313-1001	SHTS